

# Model 430LRT

SCISSOR LIFTS



## ENHANCED SERVICEABILITY

- Pin base loading allows for no load calibration.

## MORE PRODUCTIVE

- Enjoy superior terrainability with four-wheel-drive and standard oscillating axle.
- Enhanced proportional controls for more accurate machine operations.

## MORE ACCESS

- More room for people and materials thanks to spacious deck with standard extension.

## SMART DESIGN

- Reduced soundlevels (perceived volume reduction by 34%).
- Relocated angle tilt sensor and re-routed harness are less prone to damages.

## Standard Features

- 2.18 m x 3.81 m steel platform (deck extension retracted)
- Fold down handrails
- Dual side entry with half swing gates
- Lanyard attach points
- Proportional drive control with thumb steer
- Proportional lift/lower speed control
- Joystick enable for lift and drive
- Moveable and removable platform console box
- Load sensing system
- Kubota 3 cylinder 1.26L, Diesel
- Programmable "Personality" settings
- On-board self-diagnostic testing
- Engine distress warning/shut down system \*\*
- Hydrostatic drive with anti stall function
- Two speed drive selection
- Four wheel drive
- 3 degree tilt alarm and indicator light
- Steel scissor guards
- 33/1550 x 16.5 foam filled loader lug tread tyres
- Oscillating front axle with DUS
- Lifting/tie down lugs
- Hour meter
- Ground control selector switch with key lock
- Lubrication free scissor arm bushings
- Scissor maintenance prop
- Horn
- AC power cable to platform

## Standard Specifications

- |                                   |                              |
|-----------------------------------|------------------------------|
| • Tyres                           | 33 x 1550 - 16.5 Foam Filled |
| • Diesel Engine Kubota D1305- E4B | 18.5 kW (24.8 hp)            |
| • Fuel Tank Capacity              | 83 L                         |
| • Hydraulic System                | 129 L                        |

\* Available with dual extension only on machines equipped with levelling jacks

\*\* The engine will automatically shutdown in the event of low oil pressure, high coolant temperature or a temperature sensor or oil pressure sensor fault. Alarm enabled/disabled by analyser.

\*\*\* Includes four 24W platform mounted LED work lamps with flood beams

\*\*\*\* Only applicable on machines equipped with powered deck extensions

\*\*\*\*\* Steel extension with the aluminum diamond tread on the flooring deck



## Accessories & Options

- 1.22 m manual front deck extension (steel) \*\*\*\*\*
- 1.22 m manual rear deck extension (steel) \*\*\*\*\*
- IN315/55 D20 foam filled loader lug tread tyres
- 12 x 16.5 foam filled tyres
- 12 x 16.5 foam filled non mark tyres
- Hydraulic levelling jacks
- On-board 7500W generator
- Descent alarm
- All motion alarm
- 13 mm air line to platform
- Platform work lights
- Nite-Bright® package \*\*\*
- Flashing amber beacon
- Plugs & Sockets
- Catalytic purifier muffler
- Spark arresting type muffler
- Cylinder bellows
- Pipe racks (Rail mounted)
- 12V-DC auxiliary power \*\*\*\*
- ClearSky Locate
- ClearSky CAN

# Model 430LRT

## SCISSOR LIFTS

### Performance

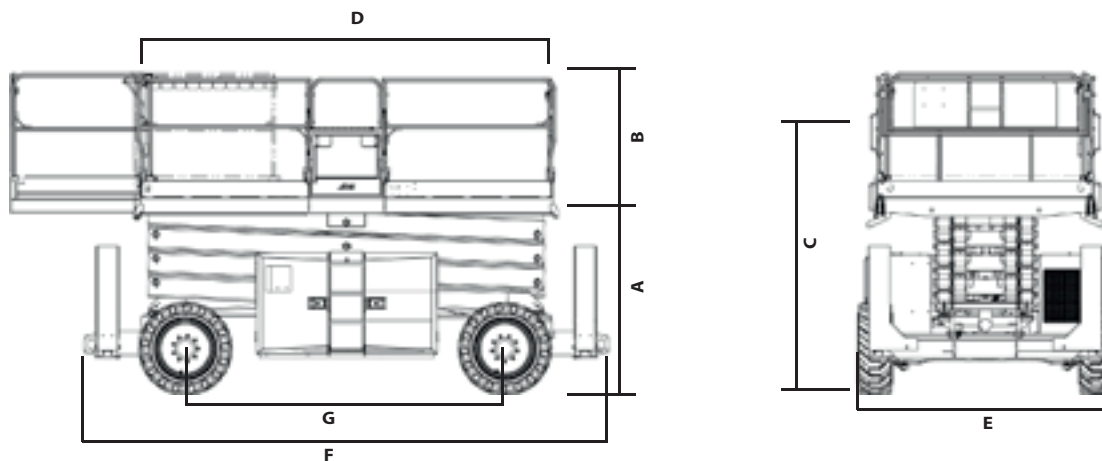
• Working Height	15.11 m
• Platform Height – Elevated	13.11 m
A. Platform Height – Lowered	1.84 m
B. Platform Railing Height	1.10 m
C. Stowed Height (Rails Folded)	2.39 m
D. Platform Size	1.79 m x 3.85 m
Front Deck Extension	1.14 m
Rear Deck Extension	1.14 m
E. Overall Width	2.31 m *
F. Overall Length	4.88 m
G. Wheelbase	2.97 m
• Ground Clearance	0.35 m
• Platform Capacity	568 kg **
• Capacity on Optional Deck Extension(s)	226 kg
• Lift/Lower Time	45/47 sec.
• Maximum Drive Height	FULL DRIVE HEIGHT
• Machine weight ***	7,155 kg
• Maximum Ground Bearing Pressure	6.7 kg/cm <sup>2</sup>
• Drive Speed 4WD	5.6 km/h
• Gradeability 4WD	45%
• Turning Radius – Inside	2.70 m
• Turning Radius – Outside	5.93 m
• Axle Oscillation	0.20 m

\* 2.31 m in the case of machine equipped with 12 x 16.5 FF NON-MARKING tyres, 2.35 m - 33/1550 - 16.5 FF tyres, and 2.37 m - IIN315/SSD20FF low profile tyres

\*\* Platform with dual extension deck. Platform with single extension deck- 682 kg.

\*\*\* Certain options or country standards may increase weight and/or dimensions.

### Dimensions



### IMPORTANT

JLG is continually researching and developing products and reserves the right to make modifications without prior notice. All data in this document is indicative. Certain options or country standards will increase weight. Specifications may change to meet country standards or with the addition of optional equipment.

Due to continuous product improvements, JLG Industries reserves the right to make specification and/or equipment changes without prior notification.



### JLG EMEA BV

Polaris Avenue 63  
2132 JH Hoofddorp  
The Netherlands  
Phone: +31 (0)23 565 5665  
[www.jlg.com](http://www.jlg.com)

An Oshkosh Corporation Company